



WONGSO FRASCOLD CONDENSING UNIT

Wongso Frascold Condensing Unit (WFCU Series) is a open design condensing unit. WFCU Series are designed for medium temperature, low temperature, and air blast freezer applications.

Standard product consists of compressor, condenser, fan, and complete accessories without control panel. The WFCU units are available in semi hermetic and two stage compressor configurations.



Medium Temperature Performance Data

Performance data 50 Hz based on 20°C suction gas temperature with liquid subcooling.



| Model | Compressor | | | Fan Condenser Current (A) | TE | Capacity R404a | | | | | | | |
|-------------|------------|-----|----------------------------|---------------------------|----|----------------|-------|-------|-------|-------|-------|------|------|
| | Type | HP | Max. Operating Current (A) | | | TC | 0 | -5 | -10 | -15 | -20 | -25 | -30 |
| WFCU-0005-M | A05-4Y | 0,5 | 4.9/2.8 | 0,7 | 30 | Q | 3605 | 2951 | 2379 | 1882 | 1455 | 1093 | 788 |
| | | | | | | P | 0,86 | 0,84 | 0,80 | 0,76 | 0,71 | 0,66 | 0,60 |
| | | | | | 40 | Q | 2979 | 2421 | 1936 | 1516 | 1157 | 852 | 595 |
| | | | | | | P | 1,01 | 0,96 | 0,89 | 0,83 | 0,75 | 0,68 | 0,60 |
| | | | | | 50 | Q | 2351 | 1893 | 1497 | 1158 | 868 | 623 | 416 |
| | | | | | | P | 1,13 | 1,05 | 0,96 | 0,87 | 0,78 | 0,68 | 0,59 |
| WFCU-0007-M | A07-5Y | 0,7 | 4.7/2.7 | 0,7 | 30 | Q | 4658 | 3794 | 3048 | 2410 | 1871 | 1424 | 1059 |
| | | | | | | P | 0,99 | 0,98 | 0,95 | 0,90 | 0,84 | 0,76 | 0,68 |
| | | | | | 40 | Q | 3818 | 3086 | 2459 | 1927 | 1483 | 1116 | 818 |
| | | | | | | P | 1,19 | 1,13 | 1,06 | 0,98 | 0,88 | 0,79 | 0,69 |
| | | | | | 50 | Q | | 2421 | 1911 | 1484 | 1131 | 843 | 611 |
| | | | | | | P | | 1,26 | 1,15 | 1,04 | 0,92 | 0,80 | 0,69 |
| WFCU-0020-M | A1.5-7Y | 2 | 7.9/4.5 | 0,7 | 30 | Q | 6743 | 5540 | 4493 | 3591 | 2823 | 2177 | 1642 |
| | | | | | | P | 1,45 | 1,40 | 1,33 | 1,25 | 1,15 | 1,05 | 0,94 |
| | | | | | 40 | Q | 5638 | 4611 | 3723 | 2963 | 2320 | 1782 | 1339 |
| | | | | | | P | 1,69 | 1,59 | 1,48 | 1,36 | 1,23 | 1,10 | 0,97 |
| | | | | | 50 | Q | 4592 | 3730 | 2991 | 2363 | 1836 | 1397 | 1036 |
| | | | | | | P | 1,89 | 1,75 | 1,60 | 1,45 | 1,29 | 1,14 | 0,99 |
| WFCU-0021-M | A1.5-8Y | 2 | 8.4/4.8 | 0,7 | 30 | Q | 7296 | 5970 | 4819 | 3830 | 2992 | 2291 | 1716 |
| | | | | | | P | 1,68 | 1,63 | 1,56 | 1,46 | 1,34 | 1,21 | 1,07 |
| | | | | | 40 | Q | 6089 | 4959 | 3985 | 3155 | 2456 | 1875 | 1401 |
| | | | | | | P | 1,96 | 1,85 | 1,72 | 1,58 | 1,42 | 1,27 | 1,11 |
| | | | | | 50 | Q | 4942 | 4007 | 3209 | 2535 | 1973 | 1512 | 1138 |
| | | | | | | P | 2,19 | 2,03 | 1,86 | 1,68 | 1,50 | 1,32 | 1,14 |
| WFCU-0030-M | B2-10.1Y | 3 | 11.7/6.7 | 0.98/0.58 | 30 | Q | 9009 | 7463 | 6111 | 4939 | 3933 | 3081 | 2367 |
| | | | | | | P | 2,29 | 2,23 | 2,13 | 2,01 | 1,86 | 1,70 | 1,52 |
| | | | | | 40 | Q | 7601 | 6280 | 5131 | 4140 | 3292 | 2575 | 1974 |
| | | | | | | P | 2,66 | 2,53 | 2,37 | 2,19 | 1,99 | 1,79 | 1,59 |
| | | | | | 50 | Q | 6248 | 5151 | 4202 | 3389 | 2698 | 2113 | 1623 |
| | | | | | | P | 3,00 | 2,80 | 2,58 | 2,35 | 2,11 | 1,88 | 1,67 |
| WFCU-0031-M | D2-11.1Y | 3 | 12.4/7.1 | 0.98/0.58 | 30 | Q | 10744 | 8884 | 7265 | 5868 | 4672 | 3659 | 2809 |
| | | | | | | P | 2,46 | 2,40 | 2,29 | 2,16 | 1,99 | 1,82 | 1,63 |
| | | | | | 40 | Q | 9050 | 7465 | 6089 | 4904 | 3891 | 3029 | 2301 |
| | | | | | | P | 2,90 | 2,76 | 2,58 | 2,38 | 2,16 | 1,94 | 1,71 |
| | | | | | 50 | Q | 7337 | 6027 | 4896 | 3924 | 3094 | 2386 | 1779 |
| | | | | | | P | 3,28 | 3,06 | 2,81 | 2,55 | 2,29 | 2,03 | 1,78 |
| WFCU-0032-M | D3-13.1Y | 3 | 15.3/8.8 | 0.98/0.58 | 30 | Q | 12636 | 10454 | 8552 | 6906 | 5491 | 4282 | 3255 |
| | | | | | | P | 2,86 | 2,79 | 2,68 | 2,52 | 2,33 | 2,12 | 1,90 |
| | | | | | 40 | Q | 10598 | 8756 | 7152 | 5764 | 4564 | 3530 | 2636 |
| | | | | | | P | 3,38 | 3,21 | 3,00 | 2,76 | 2,51 | 2,25 | 1,98 |
| | | | | | 50 | Q | 8660 | 7152 | 5843 | 4706 | 3718 | 2854 | 2088 |
| | | | | | | P | 3,88 | 3,61 | 3,33 | 3,02 | 2,72 | 2,42 | 2,12 |
| WFCU-0040-M | D4-16.1Y | 4 | 20.1/11.6 | 0.98/0.58 | 30 | Q | 15745 | 13058 | 10713 | 8679 | 6931 | 5441 | 4180 |
| | | | | | | P | 3,79 | 3,68 | 3,52 | 3,30 | 3,04 | 2,76 | 2,45 |
| | | | | | 40 | Q | 13488 | 11169 | 9147 | 7394 | 5882 | 4584 | 3471 |
| | | | | | | P | 4,49 | 4,26 | 3,99 | 3,67 | 3,33 | 2,97 | 2,60 |
| | | | | | 50 | Q | 11181 | 9264 | 7563 | 6106 | 4846 | 3756 | 2808 |
| | | | | | | P | 5,12 | 4,78 | 4,40 | 3,99 | 3,57 | 3,13 | 2,70 |
| WFCU-0050-M | Q5-21.1Y | 5 | 20.1/11.6 | 1.59/0.95 | 30 | Q | 19812 | 16466 | 13502 | 10895 | 8618 | 6644 | 4948 |
| | | | | | | P | 4,18 | 4,11 | 3,95 | 3,71 | 3,40 | 3,04 | 2,61 |
| | | | | | 40 | Q | 16633 | 13785 | 11262 | 9038 | 7086 | 5381 | 3895 |
| | | | | | | P | 4,95 | 4,75 | 4,46 | 4,10 | 3,67 | 3,19 | 2,66 |
| | | | | | 50 | Q | 13429 | 11081 | 9001 | 7162 | 5538 | 4103 | 3830 |
| | | | | | | P | 5,57 | 5,24 | 4,83 | 4,35 | 3,81 | 3,21 | 2,57 |
| WFCU-0060-M | Q5-24.1Y | 6 | 23.9/13.8 | 1.38/0.76 | 30 | Q | 22624 | 18707 | 15286 | 12324 | 9781 | 7261 | 5804 |
| | | | | | | P | 4,94 | 4,77 | 4,53 | 4,23 | 3,88 | 3,50 | 3,09 |
| | | | | | 40 | Q | 19060 | 15716 | 12801 | 10279 | 8109 | 6254 | 4676 |
| | | | | | | P | 5,85 | 5,52 | 5,13 | 4,70 | 4,24 | 3,75 | 3,26 |
| | | | | | 50 | Q | 15425 | 12677 | 10292 | 8233 | 6459 | 4934 | 3618 |
| | | | | | | P | 6,67 | 6,19 | 5,66 | 5,10 | 4,53 | 3,94 | 3,36 |
| WFCU-0070-M | Q7-28.1Y | 7 | 30.7/17.6 | 1.38/0.76 | 30 | Q | 26815 | 22280 | 18314 | 14870 | 11906 | 9374 | 7231 |
| | | | | | | P | 6,15 | 5,90 | 5,61 | 5,26 | 4,87 | 4,44 | 3,98 |
| | | | | | 40 | Q | 22726 | 18856 | 15479 | 12550 | 10024 | 7855 | 6000 |
| | | | | | | P | 7,15 | 6,74 | 6,29 | 5,81 | 5,29 | 4,75 | 4,18 |
| | | | | | 50 | Q | 18615 | 15409 | 12621 | 10205 | 8117 | 6310 | 4741 |
| | | | | | | P | 8,07 | 7,50 | 6,91 | 6,29 | 5,65 | 4,99 | 4,32 |

TE : Evaporating Temperature (°C) TC : Condenser Temperature (°C) Q : Cooling Capacity (Watts) P : Power Input (kW)

Medium Temperature Performance Data

Performance data 50 Hz based on 20°C suction gas temperature with liquid subcooling.



| Model | Compressor | | | Fan Condenser Current (A) | TE | Capacity R404a | | | | | | | |
|-------------|------------|----|----------------------------|---------------------------|----|----------------|--------|--------|-------|-------|-------|-------|-------|
| | Type | HP | Max. Operating Current (A) | | | TC | 0 | -5 | -10 | -15 | -20 | -25 | -30 |
| WFCU-0090-M | Q7-33.1Y | 9 | 34.7/20 | 3.18/1.9 | 30 | Q | 30974 | 25708 | 21122 | 17162 | 13774 | 10905 | 8500 |
| | | | | | | P | 7,29 | 6,99 | 6,59 | 6,12 | 5,61 | 5,08 | 4,57 |
| | | | | | 40 | Q | 26248 | 21766 | 17867 | 14497 | 11603 | 9130 | 7025 |
| | | | | | | P | 8,42 | 7,91 | 7,33 | 6,69 | 6,04 | 5,40 | 4,79 |
| | | | | | 50 | Q | 21468 | 17778 | 14574 | 11804 | 9412 | 7344 | 5548 |
| | | | | | | P | 9,44 | 8,74 | 7,99 | 7,21 | 6,44 | 5,69 | 5,01 |
| WFCU-0120-M | S12-42Y | 12 | 22,4 | 3.18/1.9 | 30 | Q | 38508 | 31958 | 26205 | 21195 | 16872 | 13181 | 10068 |
| | | | | | | P | 8,37 | 7,98 | 7,50 | 6,94 | 6,31 | 5,64 | 4,95 |
| | | | | | 40 | Q | 32568 | 26869 | 21889 | 17573 | 13866 | 10713 | 8059 |
| | | | | | | P | 9,75 | 9,09 | 8,36 | 7,57 | 6,74 | 5,90 | 5,06 |
| | | | | | 50 | Q | 26668 | 21829 | 17629 | 14016 | 10933 | 8325 | 6138 |
| | | | | | | P | 10,90 | 9,98 | 9,02 | 8,02 | 7,01 | 6,01 | 5,04 |
| WFCU-0150-M | S15-52Y | 15 | 32,4 | 2.76/1.52 | 30 | Q | 49134 | 40907 | 33806 | 27703 | 22470 | 17979 | 14102 |
| | | | | | | P | 10,48 | 10,17 | 9,67 | 9,04 | 8,31 | 7,51 | 6,69 |
| | | | | | 40 | Q | 42130 | 35080 | 28990 | 23731 | 19177 | 15200 | 11671 |
| | | | | | | P | 12,62 | 11,93 | 11,10 | 10,18 | 9,20 | 8,19 | 7,20 |
| | | | | | 50 | Q | 35001 | 29128 | 24050 | 19638 | 15764 | 12301 | 9121 |
| | | | | | | P | 14,51 | 13,46 | 12,32 | 11,12 | 9,90 | 8,71 | 7,57 |
| WFCU-0200-M | S20-56Y | 20 | 38,4 | 2.76/1.52 | 30 | Q | 5390 | 44920 | 37160 | 30483 | 24753 | 19832 | 15584 |
| | | | | | | P | 11,97 | 11,50 | 10,86 | 10,07 | 9,19 | 8,26 | 7,32 |
| | | | | | 40 | Q | 46891 | 38587 | 31922 | 26161 | 21166 | 16801 | 12928 |
| | | | | | | P | 14,14 | 13,27 | 12,27 | 11,18 | 10,05 | 8,93 | 7,85 |
| | | | | | 50 | Q | 38509 | 32087 | 26525 | 21687 | 17435 | 13632 | 10142 |
| | | | | | | P | 15,99 | 14,74 | 13,42 | 12,07 | 10,72 | 9,44 | 8,24 |
| WFCU-0022-M | V20-59Y | 22 | 35,4 | 2.76/1.52 | 30 | Q | 56526 | 46781 | 38270 | 30897 | 24569 | 19190 | 14667 |
| | | | | | | P | 12,00 | 11,63 | 11,08 | 10,39 | 9,58 | 8,68 | 7,74 |
| | | | | | 40 | Q | 47884 | 39434 | 32083 | 25736 | 20300 | 15680 | 11781 |
| | | | | | | P | 14,27 | 13,48 | 12,55 | 11,51 | 10,39 | 9,23 | 8,06 |
| | | | | | 50 | Q | 39011 | 31899 | 25752 | 20476 | 15977 | 12159 | 8929 |
| | | | | | | P | 16,11 | 14,93 | 13,64 | 12,29 | 10,90 | 9,49 | 8,12 |
| WFCU-0250-M | V25-71Y | 25 | 43,5 | 2.76/1.52 | 30 | Q | 68373 | 56522 | 46204 | 37297 | 29680 | 23229 | 17822 |
| | | | | | | P | 15,34 | 14,68 | 13,83 | 12,84 | 11,73 | 10,54 | 9,31 |
| | | | | | 40 | Q | 57486 | 47345 | 38552 | 30983 | 24517 | 19031 | 14405 |
| | | | | | | P | 17,65 | 16,58 | 15,35 | 14,01 | 12,60 | 11,15 | 9,70 |
| | | | | | 50 | Q | 46784 | 38338 | 31053 | 24806 | 19475 | 14939 | 11076 |
| | | | | | | P | 19,53 | 18,07 | 16,50 | 14,85 | 13,17 | 11,48 | 9,83 |
| WFCU-0300-M | V30-84Y | 30 | 49,2 | 4.96/2.84 | 30 | Q | 81353 | 67543 | 55454 | 44960 | 35934 | 28248 | 21777 |
| | | | | | | P | 18,09 | 17,45 | 16,54 | 15,42 | 14,12 | 12,71 | 11,24 |
| | | | | | 40 | Q | 68860 | 56942 | 46556 | 37575 | 29872 | 23320 | 17793 |
| | | | | | | P | 20,75 | 19,60 | 18,25 | 16,73 | 15,09 | 13,39 | 11,67 |
| | | | | | 50 | Q | 56493 | 46488 | 37825 | 30377 | 24017 | 18617 | 14053 |
| | | | | | | P | 23,35 | 21,72 | 19,92 | 18,02 | 16,05 | 14,06 | 12,12 |
| WFCU-0330-M | V35-103Y | 33 | 61,0 | 4.96/2.84 | 30 | Q | 95275 | 79413 | 65572 | 53568 | 43218 | 34337 | 26741 |
| | | | | | | P | 23,29 | 22,22 | 20,81 | 19,13 | 17,30 | 15,39 | 13,49 |
| | | | | | 40 | Q | 80540 | 67121 | 55406 | 45211 | 36353 | 28646 | 21908 |
| | | | | | | P | 27,82 | 25,88 | 23,71 | 21,40 | 19,06 | 16,76 | 14,60 |
| | | | | | 50 | Q | 66544 | 55425 | 45693 | 37165 | 29656 | 22982 | 16960 |
| | | | | | | P | 31,76 | 29,01 | 26,14 | 23,27 | 20,47 | 17,85 | 15,49 |
| WFCU-0350-M | Z35-106Y | 35 | 60,2 | 4.96/2.84 | 30 | Q | 104388 | 86345 | 70624 | 57057 | 45471 | 35697 | 27565 |
| | | | | | | P | 21,10 | 20,42 | 19,41 | 18,12 | 16,64 | 15,01 | 13,30 |
| | | | | | 40 | Q | 87772 | 72352 | 58994 | 47526 | 37778 | 29579 | 22760 |
| | | | | | | P | 25,05 | 23,63 | 21,95 | 20,08 | 18,08 | 16,02 | 13,96 |
| | | | | | 50 | Q | 71433 | 58651 | 47668 | 38314 | 30147 | 23808 | 18315 |
| | | | | | | P | 28,57 | 26,44 | 24,13 | 21,71 | 19,25 | 16,79 | 14,42 |
| WFCU-0400-M | Z40-126Y | 40 | 71,9 | 7.44/4.26 | 30 | Q | 121334 | 100364 | 82032 | 66153 | 52543 | 41017 | 31390 |
| | | | | | | P | 25,50 | 25,50 | 24,66 | 23,43 | 21,89 | 20,11 | 18,18 |
| | | | | | 40 | Q | 102617 | 84557 | 68853 | 55319 | 43771 | 34026 | 25897 |
| | | | | | | P | 29,90 | 28,13 | 26,08 | 23,82 | 21,43 | 18,98 | 16,56 |
| | | | | | 50 | Q | 83359 | 68345 | 55404 | 44352 | 35003 | 27174 | 20680 |
| | | | | | | P | 33,36 | 30,77 | 28,00 | 25,12 | 22,22 | 19,36 | 16,63 |
| WFCU-0500-M | Z50-154Y | 50 | 94,4 | 7.44/4.26 | 30 | Q | 146356 | 121442 | 99609 | 80630 | 64275 | 50316 | 38525 |
| | | | | | | P | 32,74 | 31,20 | 29,27 | 27,02 | 24,53 | 21,86 | 19,10 |
| | | | | | 40 | Q | 124386 | 102824 | 84002 | 67691 | 53664 | 41691 | 31545 |
| | | | | | | P | 38,07 | 35,51 | 32,66 | 29,58 | 26,35 | 23,05 | 19,74 |
| | | | | | 50 | Q | 101845 | 83769 | 68090 | 54582 | 43015 | 33161 | 24792 |
| | | | | | | P | 42,40 | 38,91 | 35,22 | 31,40 | 27,52 | 23,66 | 19,89 |

TE : Evaporating Temperature (°C)

TC : Condenser Temperature (°C)

Q : Cooling Capacity (Watts)

P : Power Input (kW)

Wongso Frascold Condensing Unit Low Temperature Performance Data

Performance data 50 Hz based on 20°C suction gas temperature with liquid subcooling.



| Model | Compressor | | | Fan Condenser Current (A) | TE | TC | Capacity R404a | | | | | | |
|-------------|------------|----|----------------------------|---------------------------|----|----|----------------|-------|-------|-------|-------|-------|-------|
| | Type | HP | Max. Operating Current (A) | | | | 0 | -5 | -10 | -15 | -20 | -25 | -30 |
| WFCU-0010-L | A1-7Y | 1 | 6.4/3.7 | 0,7 | 30 | Q | 5093 | 4210 | 3436 | 2762 | 2182 | 1686 | 4893 |
| | | | | | | P | 1,57 | 1,49 | 1,39 | 1,27 | 1,15 | 1,02 | 2,54 |
| | | | | | 40 | Q | 4171 | 3432 | 2788 | 2230 | 1751 | 1342 | 4044 |
| | | | | | | P | 1,84 | 1,69 | 1,53 | 1,36 | 1,20 | 1,04 | 2,67 |
| | | | | | 50 | Q | 3316 | 2717 | 2199 | 1752 | 1370 | 1044 | 3195 |
| | | | | | | P | 2,08 | 1,87 | 1,66 | 1,45 | 1,25 | 1,06 | 2,74 |
| WFCU-0020-L | B1.5-10.1Y | 2 | 9.5/5.5 | 0,7 | 30 | Q | 7300 | 6022 | 4902 | 3928 | 3089 | 2373 | 5900 |
| | | | | | | P | 2,15 | 2,07 | 1,96 | 1,81 | 1,63 | 1,44 | 3,05 |
| | | | | | 40 | Q | 6145 | 5049 | 4093 | 3265 | 2553 | 1946 | 4782 |
| | | | | | | P | 2,46 | 2,31 | 2,13 | 1,93 | 1,71 | 1,49 | 3,23 |
| | | | | | 50 | Q | 5048 | 4132 | 3338 | 2654 | 2068 | 1567 | 3695 |
| | | | | | | P | 2,75 | 2,53 | 2,30 | 2,05 | 1,80 | 1,55 | 3,33 |
| WFCU-0022-L | D2-13.1Y | 2 | 12.4/7.1 | 0,7 | 30 | Q | 10326 | 8506 | 6919 | 5548 | 4378 | 3391 | 7231 |
| | | | | | | P | 2,87 | 2,74 | 2,57 | 2,38 | 2,16 | 1,93 | 3,98 |
| | | | | | 40 | Q | 8762 | 7192 | 5831 | 4661 | 3668 | 2833 | 6000 |
| | | | | | | P | 3,28 | 3,08 | 2,85 | 2,60 | 2,33 | 2,06 | 4,18 |
| | | | | | 50 | Q | 7255 | 5933 | 4795 | 3824 | 3005 | 2320 | 4741 |
| | | | | | | P | 3,74 | 3,47 | 3,17 | 2,87 | 2,55 | 2,24 | 4,32 |
| WFCU-0030-L | D3-16.1Y | 3 | 17.2/9.9 | 0.98/0.58 | 30 | Q | 12721 | 10514 | 8577 | 6893 | 5441 | 4200 | 8500 |
| | | | | | | P | 3,70 | 3,48 | 3,24 | 2,97 | 2,68 | 2,37 | 4,57 |
| | | | | | 40 | Q | 10777 | 8867 | 7197 | 5748 | 4500 | 3433 | 7025 |
| | | | | | | P | 4,33 | 4,01 | 3,65 | 3,28 | 2,90 | 2,51 | 4,79 |
| | | | | | 50 | Q | 8876 | 7260 | 5854 | 4638 | 3592 | 2697 | 5548 |
| | | | | | | P | 4,93 | 4,49 | 4,03 | 3,56 | 3,09 | 2,62 | 5,01 |
| WFCU-0050-L | Q5-28.1Y | 5 | 24.3/14 | 1.59/0.95 | 30 | Q | 21828 | 18036 | 14716 | 11833 | 9535 | 7241 | 10068 |
| | | | | | | P | 5,90 | 5,55 | 5,16 | 4,73 | 4,28 | 3,80 | 4,95 |
| | | | | | 40 | Q | 18419 | 15164 | 12325 | 9866 | 7755 | 5956 | 8059 |
| | | | | | | P | 6,79 | 6,28 | 5,75 | 5,18 | 4,60 | 4,01 | 5,06 |
| | | | | | 50 | Q | 15037 | 12320 | 9962 | 7928 | 6185 | 4699 | 6138 |
| | | | | | | P | 7,45 | 6,88 | 6,21 | 5,51 | 4,82 | 4,12 | 5,04 |
| WFCU-0060-L | Q5-33.1Y | 6 | 25/14.4 | 1.38/0.76 | 30 | Q | 25201 | 20904 | 17148 | 13892 | 11091 | 8703 | 14102 |
| | | | | | | P | 6,90 | 6,58 | 6,15 | 5,65 | 5,09 | 4,51 | 6,69 |
| | | | | | 40 | Q | 21309 | 17614 | 14401 | 11628 | 9251 | 7227 | 11671 |
| | | | | | | P | 8,22 | 7,61 | 6,93 | 6,22 | 5,49 | 4,76 | 7,20 |
| | | | | | 50 | Q | | | 11799 | 9500 | 7537 | 5868 | 9121 |
| | | | | | | P | | | 7,63 | 6,72 | 5,83 | 4,98 | 7,57 |
| WFCU-0080-L | S8-42Y | 9 | 20,3 | 3.18/1.9 | 30 | Q | 33430 | 27691 | 22663 | 18287 | 14504 | 11257 | 15584 |
| | | | | | | P | 8,67 | 8,15 | 7,56 | 6,91 | 6,22 | 5,49 | 7,32 |
| | | | | | 40 | Q | 28341 | 23401 | 19083 | 15328 | 12078 | 9276 | 12928 |
| | | | | | | P | 9,93 | 9,17 | 8,35 | 7,50 | 6,62 | 5,73 | 7,85 |
| | | | | | 50 | Q | 22954 | 18862 | 15302 | 12218 | 9550 | 7240 | 10142 |
| | | | | | | P | 10,91 | 9,92 | 8,91 | 7,88 | 6,84 | 5,80 | 8,24 |
| WFCU-0100-L | S10-52Y | 10 | 24,5 | 3.18/1.9 | 30 | Q | 39744 | 32862 | 26979 | 21974 | 17724 | 14105 | 14667 |
| | | | | | | P | 10,59 | 10,06 | 9,37 | 8,56 | 7,68 | 6,76 | 7,74 |
| | | | | | 40 | Q | 34176 | 28191 | 23096 | 18767 | 15081 | 11915 | 11781 |
| | | | | | | P | 12,48 | 11,61 | 10,62 | 9,54 | 8,42 | 7,30 | 8,06 |
| | | | | | 50 | Q | | | 19147 | 15471 | 12327 | 9591 | 8929 |
| | | | | | | P | | | 11,69 | 10,36 | 9,01 | 7,70 | 8,12 |

TE : Evaporating Temperature (°C)

TC : Condenser Temperature (°C)

Q : Cooling Capacity (Watts)

P : Power Input (kW)

Wongso Frascold Condensing Unit Low Temperature Performance Data

Performance data 50 Hz based on 20°C suction gas temperature with liquid subcooling.



| Model | Compressor | | | Fan Condenser Current (A) | TE TC | Capacity R404a | | | | | | | |
|-------------|------------|----|----------------------------------|---------------------------------|----------|----------------|--------|-------|-------|-------|-------|-------|------|
| | Type | HP | Max. Operating Current (A) | | | 0 | -5 | -10 | -15 | -20 | -25 | -30 | |
| WFCU-0120-L | S15-56Y | 12 | 30,7 | 3.18/1.9 | 30 | Q | 44655 | 36854 | 30178 | 24491 | 19660 | 15549 | 788 |
| | | | | | | P | 11,46 | 10,88 | 10,15 | 9,29 | 8,35 | 7,38 | 0,60 |
| | | | | | 40 | Q | 38401 | 31601 | 25801 | 20867 | 16665 | 13059 | 595 |
| | | | | | | P | 13,35 | 12,43 | 11,37 | 10,23 | 9,04 | 7,85 | 0,60 |
| | | | | | 50 | Q | 32058 | 26245 | 21309 | 17144 | 13527 | 10412 | 416 |
| | | | | | | P | 15,03 | 13,76 | 12,40 | 10,98 | 9,55 | 8,15 | 0,59 |
| WFCU-0130-L | V15-59Y | 13 | 31,1 | 2.76/1.52 | 30 | Q | 45831 | 37860 | 31040 | 25231 | 20293 | 16089 | 1059 |
| | | | | | | P | 12,54 | 11,85 | 10,99 | 10,00 | 8,93 | 7,83 | 0,68 |
| | | | | | 40 | Q | 39416 | 32480 | 26565 | 21532 | 17241 | 13554 | 818 |
| | | | | | | P | 14,55 | 13,47 | 12,25 | 10,95 | 9,61 | 8,27 | 0,69 |
| | | | | | 50 | Q | 32917 | 26999 | 21972 | 17697 | 14036 | 10849 | 611 |
| | | | | | | P | 16,29 | 14,83 | 13,28 | 11,67 | 10,07 | 8,51 | 0,69 |
| WFCU-0150-L | V15-71Y | 15 | 32,2 | 2.76/1.52 | 30 | Q | 54745 | 45194 | 37045 | 30119 | 24241 | 19231 | 1642 |
| | | | | | | P | 14,83 | 14,10 | 13,14 | 12,00 | 10,74 | 9,43 | 0,94 |
| | | | | | 40 | Q | 46892 | 38600 | 31552 | 25571 | 20480 | 16100 | 1339 |
| | | | | | | P | 17,42 | 16,22 | 14,82 | 13,29 | 11,68 | 10,06 | 0,97 |
| | | | | | 50 | Q | | | 26046 | 20980 | 16646 | 12867 | 1036 |
| | | | | | | P | | | 16,18 | 14,27 | 12,32 | 10,39 | 0,99 |
| WFCU-0200-L | V20-84Y | 20 | 42,6 | 2.76/1.52 | 30 | Q | 65085 | 53815 | 43922 | 35312 | 27891 | 21565 | 1716 |
| | | | | | | P | 17,65 | 16,55 | 15,30 | 13,95 | 12,52 | 11,04 | 1,07 |
| | | | | | 40 | Q | 54821 | 45222 | 36833 | 29560 | 23310 | 17988 | 1401 |
| | | | | | | P | 20,36 | 18,71 | 16,98 | 15,19 | 13,38 | 11,59 | 1,11 |
| | | | | | 50 | Q | 43855 | 36042 | 29273 | 23454 | 18490 | 14288 | 1138 |
| | | | | | | P | 22,36 | 20,24 | 18,10 | 15,96 | 13,83 | 11,83 | 1,14 |
| WFCU-0220-L | V25-103Y | 25 | 52,3 | 2.76/1.52 | 30 | Q | 78654 | 65632 | 53989 | 43660 | 34582 | 26689 | 2367 |
| | | | | | | P | 22,89 | 21,60 | 19,97 | 18,12 | 16,14 | 14,11 | 1,52 |
| | | | | | 40 | Q | 68233 | 56438 | 45967 | 36757 | 28742 | 21861 | 1974 |
| | | | | | | P | 26,46 | 24,51 | 22,30 | 19,93 | 17,50 | 15,11 | 1,59 |
| | | | | | 50 | Q | | 46620 | 37433 | 29452 | 22613 | 16853 | 1623 |
| | | | | | | P | | 26,98 | 24,23 | 21,40 | 18,57 | 15,84 | 1,67 |
| WFCU-0250-L | Z25-106Y | 25 | 53,6 | 2.76/1.52 | 30 | Q | 85968 | 70732 | 57390 | 45815 | 35877 | 27449 | 2809 |
| | | | | | | P | 21,98 | 20,98 | 19,64 | 18,03 | 16,23 | 14,31 | 1,63 |
| | | | | | 40 | Q | 72721 | 59543 | 48062 | 38147 | 29672 | 22507 | 2301 |
| | | | | | | P | 25,82 | 23,99 | 21,92 | 19,68 | 17,35 | 15,01 | 1,71 |
| | | | | | 50 | Q | 59331 | 48274 | 38714 | 30522 | 23571 | 17732 | 1779 |
| | | | | | | P | 29,02 | 26,44 | 23,72 | 20,94 | 18,16 | 15,47 | 1,78 |
| WFCU-0300-L | Z30-126Y | 30 | 55,7 | 4.96/2.84 | 30 | Q | 99297 | 81793 | 66481 | 53206 | 41816 | 32156 | 3255 |
| | | | | | | P | 24,72 | 23,44 | 21,86 | 20,03 | 18,03 | 15,91 | 1,90 |
| | | | | | 40 | Q | 83350 | 68385 | 55354 | 44102 | 34477 | 26323 | 2636 |
| | | | | | | P | 28,63 | 26,54 | 24,24 | 21,79 | 19,26 | 16,70 | 1,98 |
| | | | | | 50 | Q | 67440 | 55041 | 44317 | 35115 | 27280 | 20660 | 2088 |
| | | | | | | P | 31,94 | 29,13 | 26,19 | 23,19 | 20,20 | 17,28 | 2,12 |
| WFCU-0400-L | Z40-154Y | 40 | 77,9 | 7.44/4.26 | 30 | Q | 120493 | 99607 | 81793 | 66655 | 53799 | 42826 | 4180 |
| | | | | | | P | 31,36 | 29,90 | 27,95 | 25,62 | 23,03 | 20,31 | 2,45 |
| | | | | | 40 | Q | 103000 | 85017 | 69718 | 56707 | 45588 | 35965 | 3471 |
| | | | | | | P | 37,07 | 34,59 | 31,71 | 28,55 | 25,23 | 21,86 | 2,60 |
| | | | | | 50 | Q | | 70438 | 57532 | 46526 | 37022 | 28626 | 2808 |
| | | | | | | P | | 38,67 | 34,89 | 30,91 | 26,87 | 22,87 | 2,70 |

TE : Evaporating Temperature (°C)

TC : Condenser Temperature (°C)

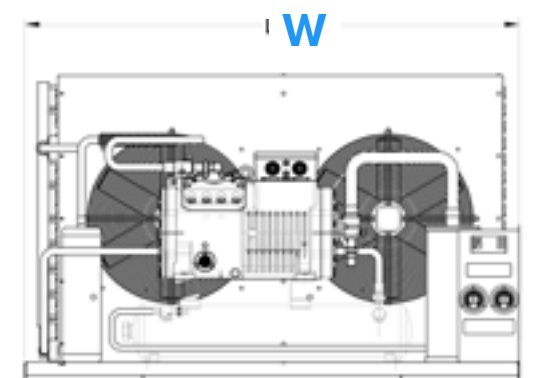
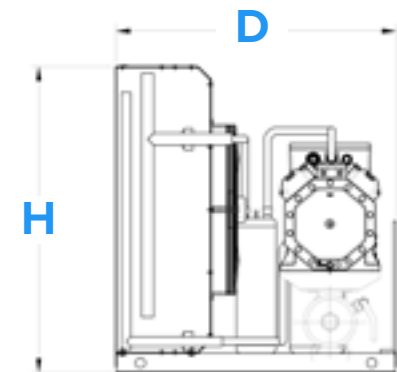
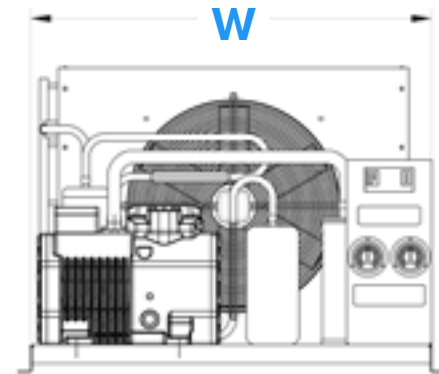
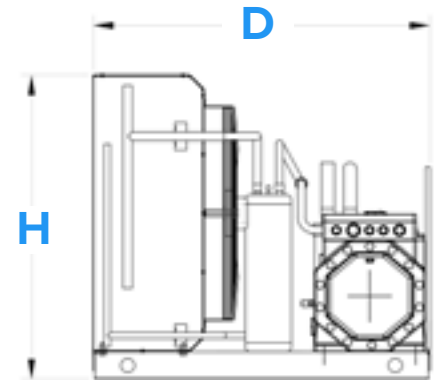
Q : Cooling Capacity (Watts)

P : Power Input (kW)

Wongso Frascold Condensing Unit Medium Temperature Dimensions

| Model | Frascold Type | Connection | | Net Weight Kgs | Dimension (mm) | | |
|-------------|---------------|------------|--------|-------------------|----------------|-------|--------|
| | | Suction | Liquid | | Width | Depth | Height |
| WFCU-0005-M | A05-4Y | 5/8 | 3/8 | 160 | 910 | 850 | 655 |
| WFCU-0007-M | A07-5Y | 5/8 | 3/8 | 160 | 910 | 850 | 655 |
| WFCU-0020-M | A1.5-7Y | 5/8 | 3/8 | 160 | 910 | 850 | 655 |
| WFCU-0021-M | A1.5-8Y | 5/8 | 1/2 | 160 | 910 | 850 | 655 |
| WFCU-0030-M | B2-10.1Y | 5/8 | 1/2 | 162 | 910 | 850 | 655 |
| WFCU-0031-M | D2-11.1Y | 7/8 | 1/2 | 162 | 910 | 850 | 655 |
| WFCU-0032-M | D3-13.1Y | 7/8 | 1/2 | 162 | 910 | 850 | 655 |
| WFCU-0040-M | D4-16.1Y | 1 1/8 | 1/2 | 164 | 910 | 850 | 655 |
| WFCU-0050-M | Q5-21.1Y | 1 1/8 | 1/2 | 166 | 1060 | 950 | 655 |
| WFCU-0060-M | Q5-24.1Y | 1 1/8 | 1/2 | 166 | 1060 | 950 | 905 |
| WFCU-0070-M | Q7-28.1Y | 1 3/8 | 5/8 | 221 | 1140 | 1030 | 905 |
| WFCU-0090-M | Q7-33.1Y | 1 3/8 | 5/8 | 240 | 1140 | 1030 | 950 |
| WFCU-0120-M | S12-42Y | 1 3/8 | 5/8 | 297 | 1550 | 1030 | 950 |
| WFCU-0150-M | S15-52Y | 1 5/8 | 7/8 | 364 | 1550 | 1030 | 950 |
| WFCU-0200-M | S20-56Y | 1 5/8 | 7/8 | 367 | 2070 | 1180 | 950 |
| WFCU-0022-M | V20-59Y | 1 5/8 | 7/8 | 367 | 2070 | 1180 | 950 |
| WFCU-0250-M | V25-71Y | 2 1/8 | 7/8 | 422 | 2070 | 1180 | 1050 |
| WFCU-0300-M | V30-84Y | 2 1/8 | 7/8 | 507 | 2370 | 1230 | 1250 |
| WFCU-0330-M | V35-103Y | 2 1/8 | 7/8 | 507 | 2370 | 1230 | 1250 |
| WFCU-0350-M | Z35-106Y | 2 1/8 | 7/8 | 496 | 2370 | 1230 | 1250 |
| WFCU-0400-M | Z40-126Y | 2 5/8 | 7/8 | 542 | 2370 | 1230 | 1250 |
| WFCU-0500-M | Z50-154Y | 2 5/8 | 1 1/8 | 546 | 2370 | 1230 | 1250 |

Frascold®



Wongso Frascold Condensing Unit Low Temperature Dimensions

| Model | Frascold Type | Connection | | Net Weight Kgs | Dimension (mm) | | |
|-------------|---------------|------------|--------|-------------------|----------------|-------|--------|
| | | Suction | Liquid | | Width | Depth | Height |
| WFCU-0010-L | A1-7Y | 5/8 | 1/2 | 141 | 910 | 850 | 655 |
| WFCU-0020-L | B1.5-10.1Y | 5/8 | 1/2 | 141 | 910 | 850 | 655 |
| WFCU-0022-L | D2-13.1Y | 7/8 | 1/2 | 141 | 910 | 850 | 655 |
| WFCU-0030-L | D3-16.1Y | 1 1/8 | 1/2 | 141 | 910 | 850 | 655 |
| WFCU-0050-L | Q5-28.1Y | 1 3/8 | 1/2 | 169 | 1060 | 950 | 655 |
| WFCU-0060-L | Q5-33.1Y | 1 3/8 | 1/2 | 174 | 1060 | 950 | 905 |
| WFCU-0080-L | S8-42Y | 1 3/8 | 5/8 | 273 | 1140 | 1030 | 905 |
| WFCU-0100-L | S10-52Y | 1 3/8 | 5/8 | 295 | 1140 | 1030 | 950 |
| WFCU-0120-L | S15-56Y | 1 5/8 | 7/8 | 338 | 1550 | 1030 | 950 |
| WFCU-0130-L | V15-59Y | 1 5/8 | 7/8 | 338 | 1550 | 1030 | 950 |
| WFCU-0150-L | V15-71Y | 1 5/8 | 7/8 | 418 | 2070 | 1180 | 950 |
| WFCU-0200-L | V20-84Y | 2 1/8 | 7/8 | 410 | 2070 | 1180 | 950 |
| WFCU-0220-L | V25-103Y | 2 1/8 | 7/8 | 450 | 2070 | 1180 | 1050 |
| WFCU-0250-L | Z25-106Y | 2 1/8 | 7/8 | 450 | 2070 | 1180 | 1050 |
| WFCU-0300-L | Z30-126Y | 2 1/8 | 7/8 | 531 | 2370 | 1180 | 1250 |
| WFCU-0400-L | Z40-154Y | 2 5/8 | 1 1/8 | 543 | 2370 | 1180 | 1250 |