

WONGSO SCROLL CONDENSING UNIT



Wongso Scroll Condensing Unit (WSCU Series) has capacity range from 2 HP until 10 HP for medium and low temperature. WSCU Series is a closed design outdoor condensing unit using Invotech scroll hermetic compressor. WSCU Series is the extremely efficient condensing units and perfect solution for commercial sectors where noise, size and reliability are paramount.



CHICKEN



MEAT



FISH



SHRIMP



SAUSAGE



DUMPLINGS



FRUITS

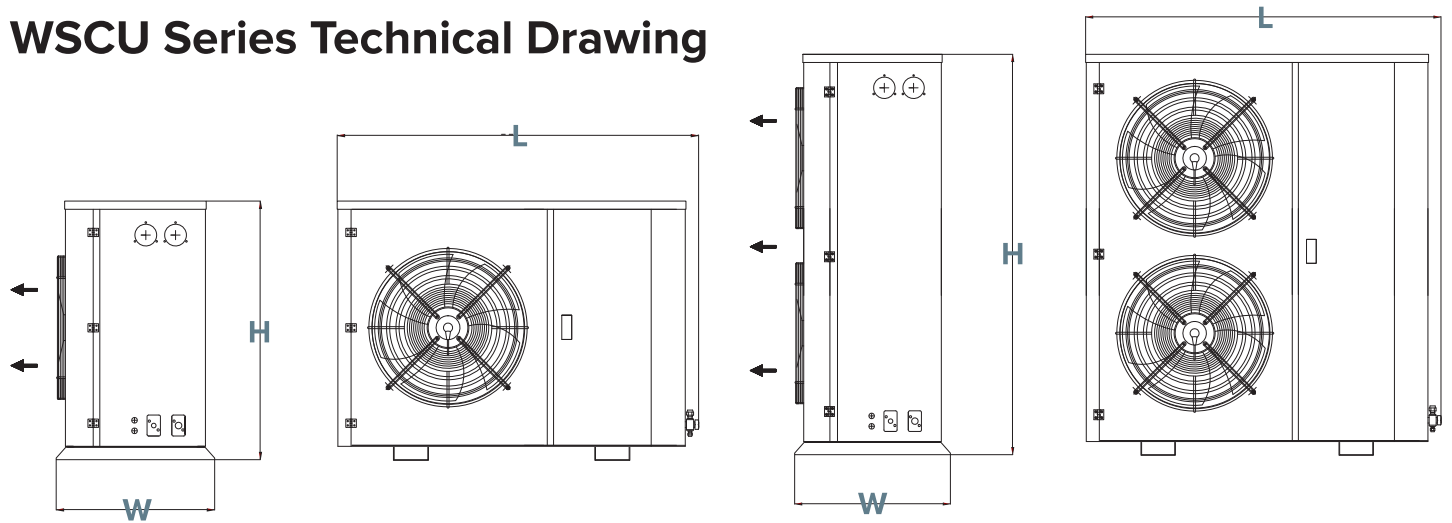


VEGGIES



VACCINE

WSCU Series Technical Drawing



WSCU Series Technical Data

Model	Compressor	HP	Electricity	Con- denser (m ²)	Axial Fan			Dimension (mm)		
					N x Æ	m ³ /h	Voltage	L	W	H
WSCU 02 ML	YM 34 E1G	2	380V/50Hz/3P	20	1*400mm	1*3800	380V/50Hz/3P	1110	500	790
	YM 34 E2G	2	220V/50Hz/1P	20			220V/50Hz/1P			
WSCU 03 ML	YM 49 E1G	3	380V/50Hz/3P	29	1*400mm	1*3800	380V/50Hz/3P	1110	500	790
	YM 49 E2G	3	220V/50Hz/1P	29			220V/50Hz/1P			
WSCU 04 ML	YM 70 E1G	4	380V/50Hz/3P	39	1*400mm	1*3800	380V/50Hz/3P	1110	500	790
	YM 70 E2G	4	220V/50Hz/1P	39			220V/50Hz/1P			
WSCU 05 ML	YM 86 E1G	5	380V/50Hz/3P	48	2*400mm	2*3800	380V/50Hz/3P	1110	500	1240
WSCU 06 ML	YM 102 E1G	6	380V/50Hz/3P	58	2*400mm	2*3800	380V/50Hz/3P	1110	500	1240
WSCU 07 ML	YM 125 E1G	7	380V/50Hz/3P	68	2*400mm	2*3800	380V/50Hz/3P	1110	500	1240
WSCU 08 ML	YM 132 E1G	8	380V/50Hz/3P	80	2*450mm	2*5000	380V/50Hz/3P	1230	560	1390
WSCU 09 ML	YM 158 E1G	9	380V/50Hz/3P	90	2*450mm	2*5000	380V/50Hz/3P	1330	560	1390
WSCU 10 ML	YM 182 E1G	10	380V/50Hz/3P	100	2*500mm	2*6600	380V/50Hz/3P	1430	560	1390

Model	Weight (kg)	Dis- charge	Suction	Refrigeration Capacity (kW) @Evaporating Temperature - R404a								
				-30	-25	-20	-15	-10	-5	0	5	10
WSCU 02 ML	90	Φ10	Φ16	1612	2001	2637	3408	4293	5271	6323	7428	8565
WSCU 03 ML	90	Φ10	Φ16	2194	2724	3590	4639	5843	7175	8606	10110	11658
WSCU 04 ML	105	Φ10	Φ16	3134	3891	5128	6627	8347	10250	12295	14443	16654
WSCU 05 ML	115	Φ12	Φ19	3850	4780	6300	8141	10255	12593	15105	17744	20461
WSCU 06 ML	125	Φ12	Φ19	4566	5670	7472	9656	12163	14935	17915	21045	24267
WSCU 07 ML	135	Φ12	Φ19	5596	6948	9157	11833	14906	18303	21955	25791	29739
WSCU 08 ML	145	Φ16	Φ28	5798	7198	9487	12260	15443	18963	22746	26720	30811
WSCU 09 ML	145	Φ16	Φ35	7073	8782	11575	14957	18841	23135	27751	32600	37591
WSCU 10 ML	150	Φ16	Φ35	7727	9593	12644	16339	20581	25272	30314	35610	41063